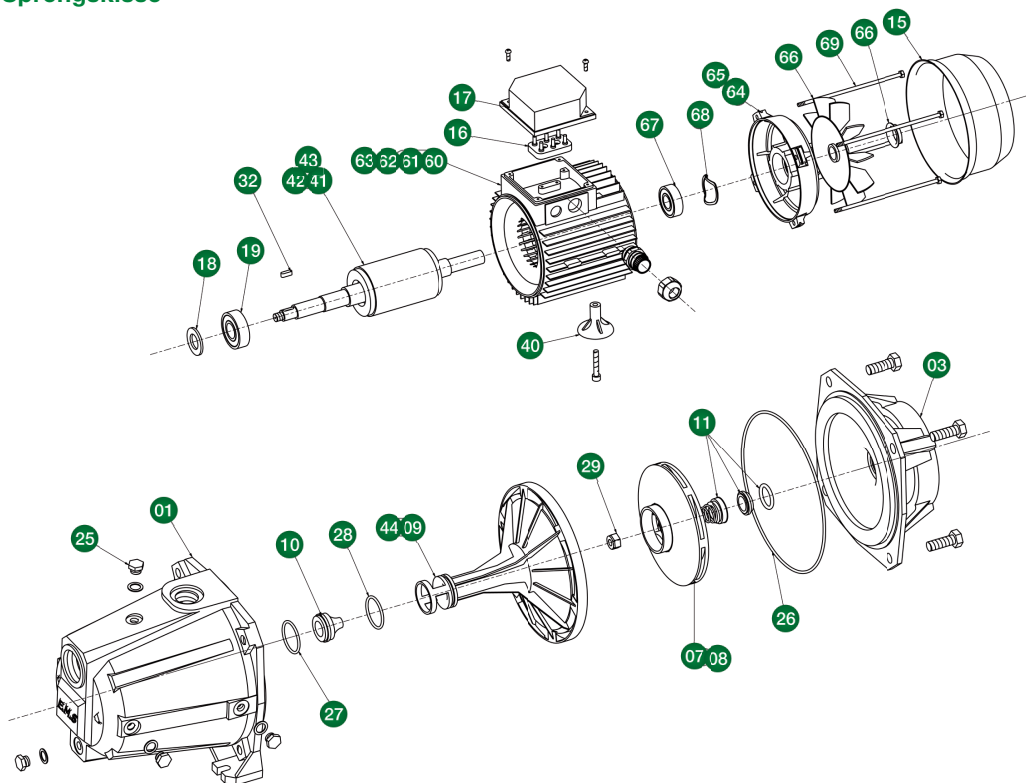


# Reservedeler Jet 210-315

Reservedelene nummer i sprengskissen motsvarer de to siste sifre i artikkelnummrene under.  
En reservedel kan passe til flere pumpemodeller. Reservedelene passer pumper produsert etter 1997.

## Sprengskisse



## Reservedeler

<b>Z2201</b> Pumpehus	<b>Z2228</b> O-ring ejektor	<b>Z2265</b> Motordeksel 310,315
<b>Z2203</b> Mellomstykke	<b>Z2229</b> Mutter pumpehjul	<b>Z2266</b> Vifte
<b>Z2207</b> Pumpehjul 210,215	<b>Z2232</b> Kile	<b>Z2267</b> Lager motorside
<b>Z2208</b> Pumpehjul 310,315	<b>Z2240</b> Statorfot	<b>Z2268</b> Fjærbrikke
<b>Z2209</b> Diffusor 18 mm 210,310	<b>Z2241</b> Rotor 210	<b>Z2269</b> Pinnebolt
<b>Z2210</b> Ejektormunnstykke	<b>Z2242</b> Rotor 310-315	
<b>Z2211</b> Akseltetting	<b>Z2243</b> Rotot 215	
<b>Z2217</b> Koblingslock	<b>Z2244</b> Diffusor 215,315	
<b>Z2218</b> Sprutvern	<b>Z2260</b> Stator 210	
<b>Z2219</b> Lager P-side	<b>Z2261</b> Stator 215	
<b>Z2225</b> Tømmeplugg	<b>Z2262</b> Stator 310	
<b>Z2226</b> O-ring pumpehus	<b>Z2263</b> Stator 315	
<b>Z2227</b> O-ring ejektordyse	<b>Z2264</b> Motordeksel 210,215	